



Gateway Pro

iPod, USB, Bluetooth

General Installation Guide

v.1.0

GWP-9210-1



1. INTRODUCTION

The **Dension Gateway Pro** lets you connect your iPod or USB storage (stick, hard drive or mass storage capable mp3 player) to your original car radio, providing music playback, menu based control and charging.

The Gateway Pro offers Bluetooth connectivity for music streaming (via A2DP) and handsfree mobile call handling via the original buttons and screens of your vehicle.

2. GETTING STARTED

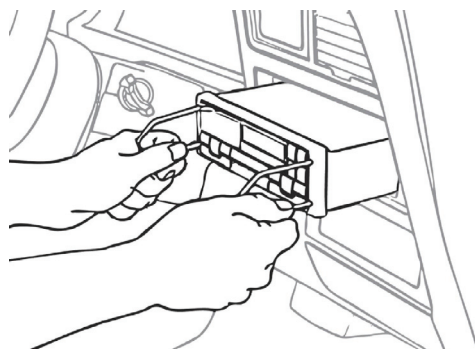
At first please make sure that the vehicle compatibility is correct.

The Dension Gateway Pro is available in specific versions for different vehicle types, therefore the exact operation and installation may be different in each case.

Before you start!

During the installation always make sure that the ignition key is removed from the car, the radio is switched off and that you have the security code of the head unit (radio) available (if applicable).

Remove the head unit

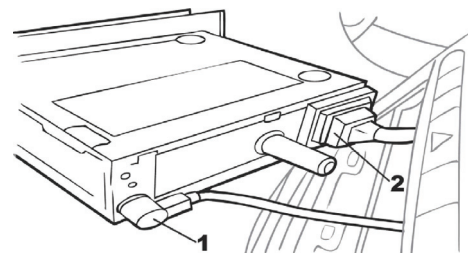


First, carefully remove your vehicle's existing factory fit head unit as per the factory instructions and using the correct tools.

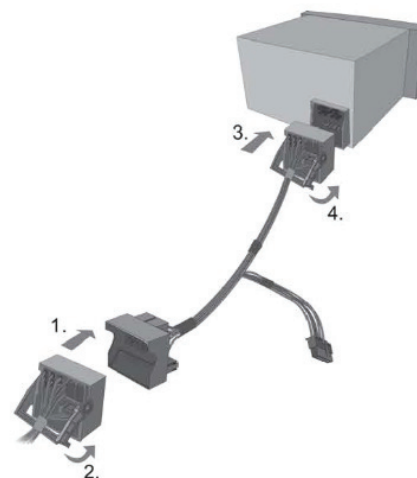
In some cases, removing the head unit will require panel removal. Contact your vehicle's dealer or installation supplier / installer for more information.

3. FITTING THE GATEWAY HARNESS

Once the head unit has been removed, disconnect the antenna cable (1), then unclip the main wiring connector from the head unit (2). This will differ in all makes and manufacturers.



With the main radio cable removed, connect the Dension supplied cable between the original factory cable harness and the head unit.



4. INSTALLATION (PART 1)

The below diagram depicts how the different modules connect to the Gateway Pro.



Connect the 18 way micro-fit to the Car side of the Gateway Pro module.

Connect the **round iPod connector (optional)** and connector port (optional) to the module and feed them through the dashboard to an appropriate location.

Connector port (optional accessory)

The Connector port allows easier access to the USB and Aux connections of the gateway, and provides a bypass switch and an easy reset option. The iPod connection and charging is possible directly through the iPod Dock Cable or an iPod Cradle (not included).

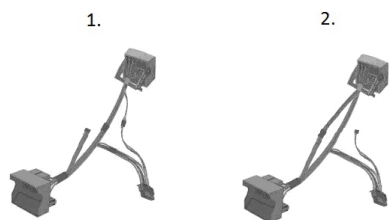


The connector port

Please fix the connector port in a position where the user can access the inputs, and leave sufficient room for attaching USB storage devices.

5. INSTALLATION (PART 2)

You can find DIP switches on the bottom of the Gateway Pro. You can activate / deactivate functions with DIP switches like **Bluetooth (#5) or Media (#6 – only on BAP)**. Change the default settings only if you want to use the factory fitted options. **For example:** If you want to use the factory phone option instead of the Pro, set DIP switch #5 ON and change the 4 PIN molex (phone audio) position as it can be seen below (#2).



The rest DIP switches between 1 - 4 are non-functional.

Please note: Factory phone option must be removed if available and the phone option of the Pro is used.

Fitting the microphone

The microphone will work best when it is kept away from all noise sources (open windows or speaker) and close to the speaker. So the best place to ensure perfect sound is to install at the light cluster or rear view mirror in the centre of the wind screen. There are clips that help you to do this.

The optimal place for the microphone depends on many factors, so it is recommended that you try different installation places before finally mounting the microphone.

6. TEST AND REFIT

Before you refit the head unit, **test** the Gateway Pro with your car audio, making sure all connections are **correct** and that you **have full functionality**.

Note: If during testing you notice any changes or inconsistencies in the way the car's electrical system operates, disconnect the Gateway product immediately and consult your dealer.

When you have tested everything, refit your head unit. **Do not trap the cables, or leave them in a position where they may become trapped after refitting the head unit.** We supply cable ties to mount the Gateway Pro module. **Please mount the module away from heat or damp surfaces.**

Refit is the reversal of the removal process for your specific vehicle, as per your manufacturer's instructions.

7. ENABLING

The Gateway Pro emulates a CD changer (in most cases) therefore generally no programming is required or the Pro is capable to do activation during the first Power ON circle (typically on Peugeot).

On CAN BAP based systems (like RCD310, 510 or RNS510) the Pro emulates the factory MDI (Multimedia Interface) and Telephone option which needs to be coded since Model Year 2011. If your vehicle has not been programmed before, the **Media Player 3 (2E)** and **Telephone (7E)** options **have to be coded** in order for the Pro to work correctly. Please note: Programming is not required if your vehicle had those options enabled before.

8. DISCLAIMER

All photos / illustrations are for representation purposes only and may differ visually from the equipment in your vehicle. Information correct at time of going to print E. & O. E. Dension Audio Systems Ltd. and it's registered partners cannot be held liable for any damages caused by the incorrect installation of any Dension product.

9. FURTHER ASSISTANCE

If you need further assistance in using your Dension product, please contact your local supplier or visit www.dension.com/en/support and click on 'Support'.

Please check also the **download section** for the latest firmware version and product documentation, as these may provide additional features or easier use of the product.